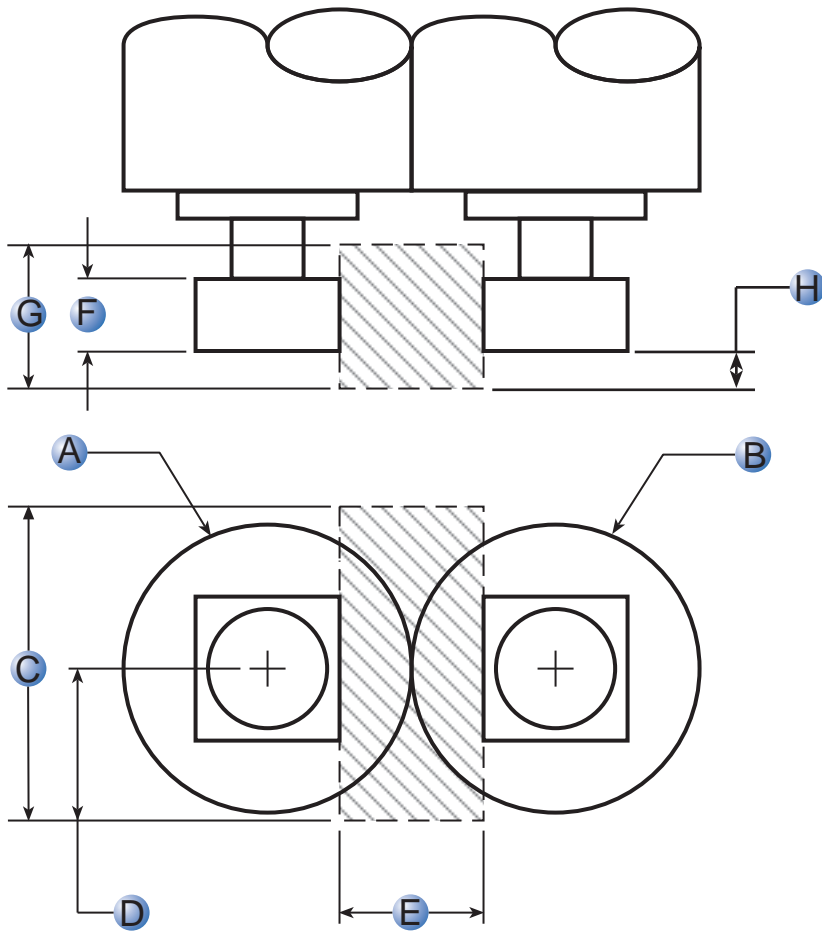


MicroAdjuster Application Sheet



<input type="checkbox"/>	A Fixed roller diameter	
<input type="checkbox"/>	B Moving roller diameter	
<input type="checkbox"/>	C Max. space for MicroAdjuster	
<input type="checkbox"/>	D Distance from end of MicroAdjuster to Roll Center	
<input type="checkbox"/>	E Min. distance (nip closed, rolls touching)	
<input type="checkbox"/>	F Bearing cap width	
<input type="checkbox"/>	G Max. space (width) for MicroAdjuster	
<input type="checkbox"/>	H Space from end of MicroAdjuster to bearing cap	
<input type="checkbox"/>	Max. roll gap	Control Preference (check)
<input type="checkbox"/>	Min. roll gap	<input type="checkbox"/> Manual knob
<input type="checkbox"/>	Max. nip force	<input type="checkbox"/> Open loop automatic
<input type="checkbox"/>	Min. nip force	<input type="checkbox"/> Closed loop automatic

- Coaters
-
- Laminators
-
- Unwinds
-
- Rewinds
-
- Dryers
-
- Slitters



9893 Horn Rd.
 Sacramento, CA 95827
 916.366.4690
 Fax 916.366.4691
 e-mail: sales@conquipinc.com
 www.conquipinc.com